

REV.	Description	Date
1	rate voltage revise	2012/9/10
2	add P/N table	2012/12/26

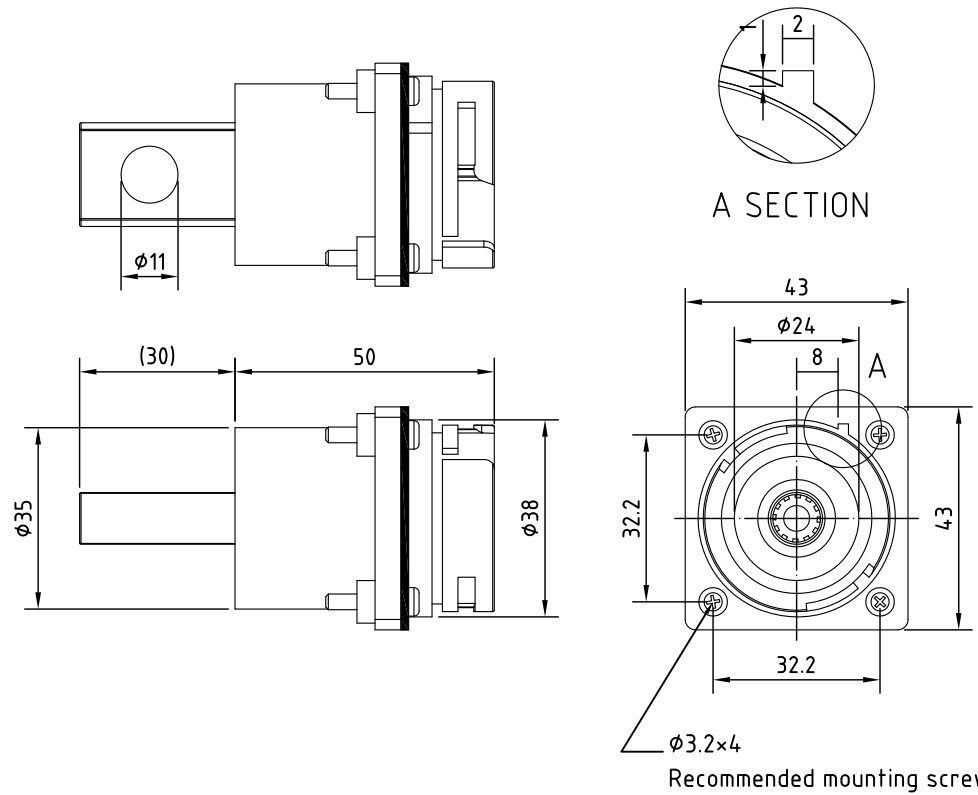
Specification of connector

General Characteristics

Locking system : Twist Lock
Shell protection : IP67

Electronical Characteristics

Rated voltage : 1000V
Rated current : 300A
Contact resistance : $\leq 0.15m\Omega$



Part Number Table

Part number	Body color
UT-3622-01	Red
UT-3622-02	Black

5	PIN	Brass	Gold Ptd.
4	Pad	Rubber	
3	Screw	SUS #4-40	
2	Nut	SUS #4-40	
1	Body	PA	
Item	Description	Material	Treat & Remark

RoHS
TOLERANCE X±0.5 .X±0.3



Unicable Co., Ltd. 國陽電業有限公司

5F., No. 111-33, Sec. 4, San Ho Road., San Chung Dist., New Taipei City, Taiwan, R.O.C.
http://www.unicable.com.tw TEL:+886-2-2286-2122 FAX:+886-2-2286-1010

DATE	2018/10/5	PART NO.	UT-3622
DWN	GINA	REV.	2
CHK			
ITEM	High Power	UNIT	MM